

R66 NEWSCOPTER



Shown with larger optional gimbal installed

The four-place R66 Turbine Newscopter is an economical, turn-key aerial platform featuring the latest in ENG (electronic news gathering) technology.

The standard R66 ENG package includes a gyro stabilized gimbal that houses an Ikegami HDL-F3000 camera equipped with Canon's 24 to 1 HD lens. Also included are three HD micro cameras: two in the cabin for recording passengers, and a third mounted on the tail.

Seven-inch monitors on both sides of the front console display crisp HD images. Geneva digital audio controllers beneath each monitor allow for independent monitoring and transmitting. In the aft compartment, camera images display on a 10-inch HD monitor with controls located in the center console and laptop console.

Other features include video switcher, digital video recorder with OLED display, three FM two-way radios, Nucomm ChannelMaster Lite microwave digital transmitter, Peak 13.5 dB directional microwave pod and TV tuner provisions.

OPTIONS

- Larger gimbal with Canon's 40 to 1 lens
- GPS position data modem
- Multi-band scanner
- AM/FM receiver
- Provisions for a second TV tuner with aft monitor
- Auxiliary Fuel Tank



Forward cabin shown with Garmin G500H 1060 TXi PFD/MFD, Genesys HeliSAS Autopilot, Garmin GTR 225A, Garmin GTX 335, Boland monitors, Geneva digital audio controllers, and optional Garmin GTN 750.



Aft centralized ENG workstation

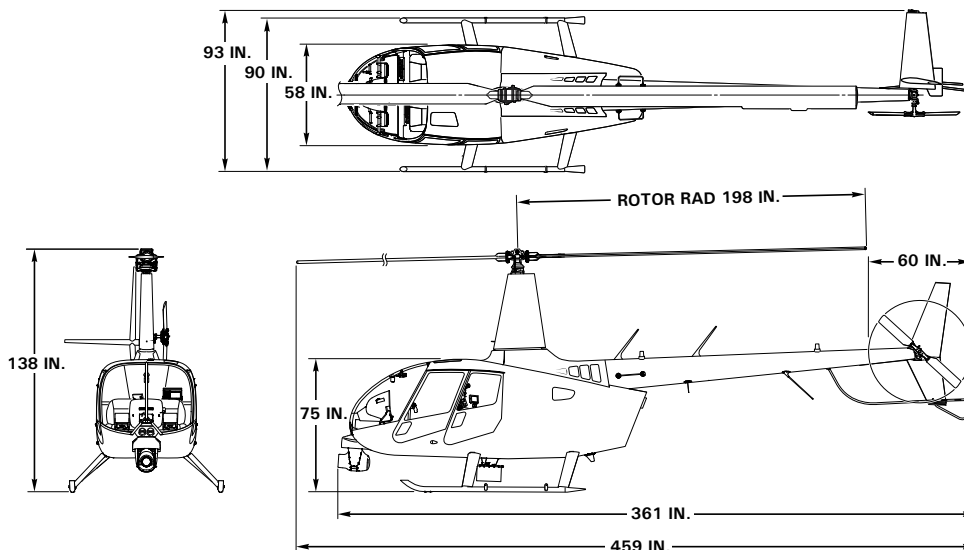


R66 NEWSCOPTER

SPECIFICATIONS

Engine	Rolls Royce RR300 turbine
Horsepower	300 shp turboshaft; derated to 270 shp for takeoff and 224 shp continuous
Maximum Gross Weight	2700 lb (1225 kg)
Approximate Empty Weight (including oil, avionics and standard ENG package)	1430 lb (649 kg)
Fuel Capacity (73.6 gal)	493 lb (224 kg)
Pilot, Passengers and Cargo with Standard Fuel	777 lb (352 kg)
Cruise Speed at Maximum Gross Weight	up to 110 kts (127 mph)
Hover Ceiling IGE at Max. Gross Weight	over 10,000 ft
Hover Ceiling OGE at Max. Gross Weight	over 10,000 ft
Rate of Climb	over 1000 fpm
Maximum Operating Altitude	14,000 ft
Electrical System	28 volt

DIMENSIONS



STANDARD AVIONICS

- G500H 1060Txi PFD/MFD
- GTR 225A COM radio
- GTX 335 transponder with ADS-B Out
- GTN 635 Navigator

STANDARD INSTRUMENTS

- Airspeed indicator
- Altimeter
- Rotor/engine dual tachometer
- Vertical speed indicator
- Magnetic compass
- Torque meter
- N1 tachometer
- MGT gage
- Oil temp and pressure gages
- Fuel gage
- Ammeter
- Digital OAT gage/voltmeter
- Hourmeters
- Quartz clock

STANDARD EQUIPMENT

- Hydraulic power controls
- Bladder fuel tank
- Lithium battery
- Integrated engine oil filter with bypass indicator
- Engine air filter with bypass indicator
- Main gearbox oil filter with bypass indicator
- 160 amp starter generator
- Engine compressor rinse nozzle
- Electronic engine monitoring unit (EMU)
- Engine anti-ice system
- Cabin heater and defogger
- Rotor brake
- Intercom switches
- Avionics master switch
- Tinted windows
- Leather seats
- 3-point shoulder harnesses
- Pilot-side adjustable pedals
- Door locks
- Belly hardpoint
- LED anti-collision and navigation lights
- Dual HID landing lights
- LED panel and map lights
- Ground handling wheels
- Rotor blade tie-downs
- Windshield cover
- Travel bag

ROBINSON HELICOPTER COMPANY
 2901 Airport Drive • Torrance, CA • 90505 • USA
 Phone: 310-539-0508 • Fax: 310-539-5198
www.robinsonheli.com